

NORMACONNECT® – Pipe Connections

NORMACONNECT® FGR Pipe couplings

The NORMACONNECT® range offers weld-free connections for plain-end pipes in pipeline construction, shipbuilding, offshore installation, large engine construction, chemical plants, irrigation and waste water plants etc.

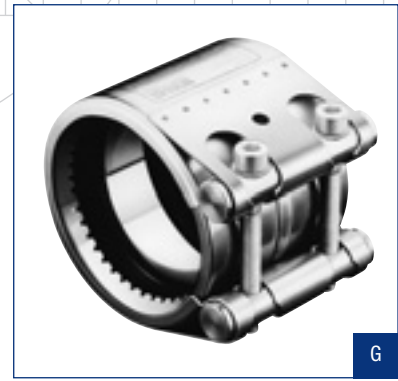
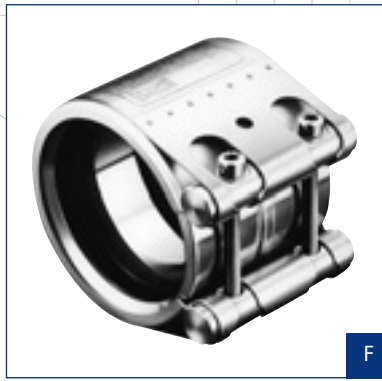
The current range of pipe couplings comprises 6 types, each with individual features:

Features:

- Easy assembly and disassembly
- Axial tensile-strength (type GRIP)
- Sealing only (type FLEX)
- Re-usable
- Patented double lip seal
- Standard steel band insert
- Suitable for vacuum and pressure applications
- Connect different pipe materials (type COMBI GRIP)
- Integrated fire protection (type G-FP)

NORMACONNECT® FLEX

For connecting restrained metal and plastic pipes (F)



NORMACONNECT® GRIP

For connecting unrestrained metal pipes (G)

NORMACONNECT® COMBI GRIP

For connecting unrestrained metal with unrestrained plastic pipes (CG)



NORMACONNECT® PLAST GRIP

For connecting unrestrained plastic pipes (PG)

NORMACONNECT® REP

Repair coupling (R)



NORMACONNECT® G-FP

(Flame protection)
Pipe coupling type GRIP with integrated fire protection



In case of questions that are specific to YOUR application please refer to our separate brochure NORMACONNECT® FGR.